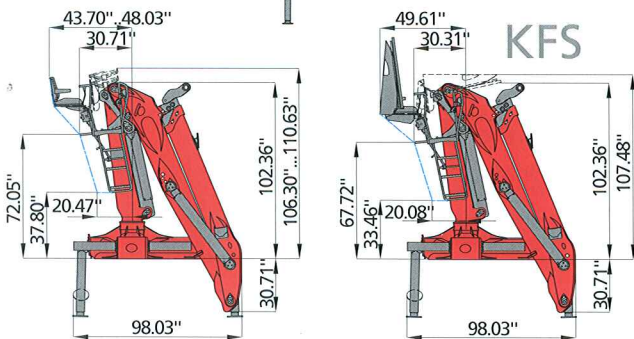
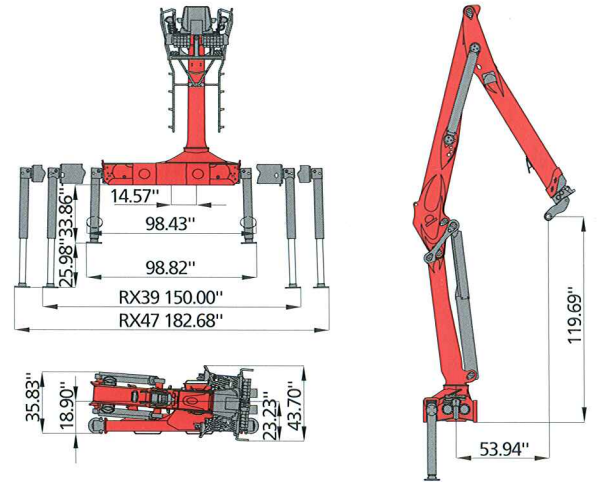
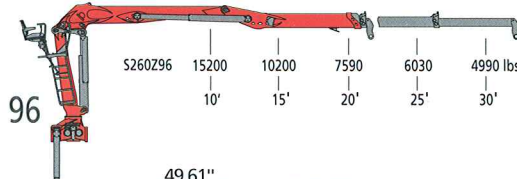
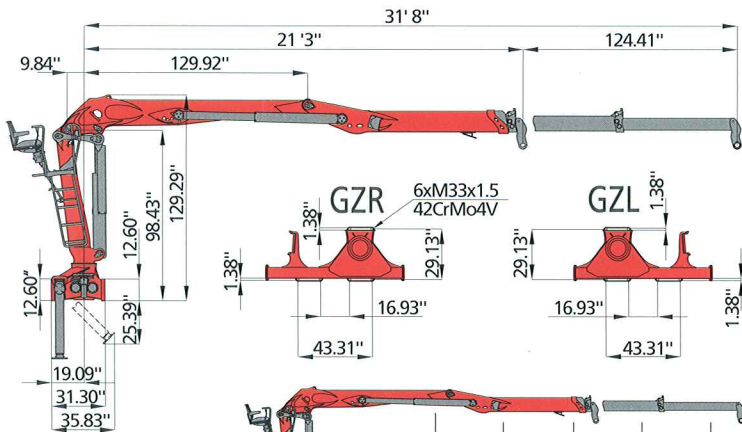


**S-CLASS
2-CRANES**



crane type	S260Z
boom system	96
lifting moment net	[ft.lbs] 156.360
slewing torque net	[ft.lbs] 26.550
slewing angle	[°] 385
max. outreach	31' 6"
operating pressure	[psi] 3.770
recommended pump capacity	2K [US gal./min] 2x 24
dead weight without link / rotator	[lbs] 6.370

lifted weight, net without accessories